

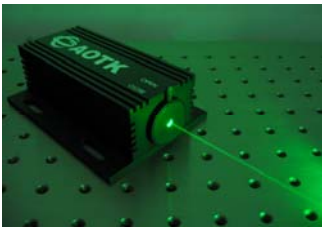
Green DPSS Laser

Key Features

- Ultra Compact
- Superior Performance
- Long Lifetime

Applications

- Laser Display
- Laser Show
- Collimation
- Wafer Inspection
- Micro-material Processing
- Metrology
- Printing
- Photoluminescence
- Medical Treatment
- Scientific Experiments
- Optics Instrument



Sun532S

AOTK Sun532S lasers are ultra compact, continuous wave, double thermoelectric (TE) cooled, over-temperature and over-current protection, diode-pumped all-solid-state of 532nm laser.

The Sun532S lasers are intended for stand-alone use in laboratory environment or for integration as OEM component in equipment for applications including Laser Display, Laser Show, Collimation, Wafer Inspection, Micro-material Processing, Metrology, Printing, Photoluminescence, Medical Treatment, Scientific Experiments and Optics Instrument, etc.

Available output power is 50, 100, 150, 200, 300mW and higher power.

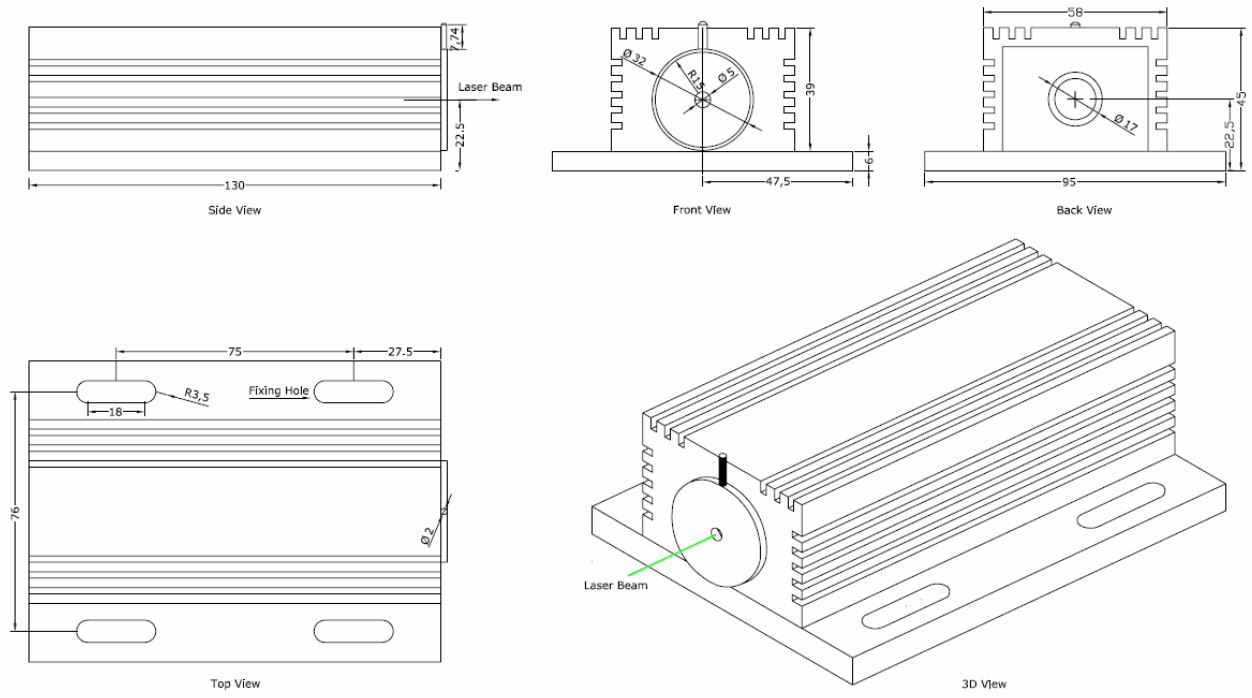
Specifications

Wavelength	532 nm
Operating Mode	CW
Output Power	50, 100, 150, 200, 300mW
Spatial Mode	TEM ₀₀
Mode Quality M ²	< 1.2
Spectral Linewidth	< 0.1 nm
Beam Diameter @ 1/e ²	2.0 mm ±0.2 mm
Beam Divergence (full angle)	1.0 mrad
Beam Ellipticity	< 10%
Pointing Stability	< 0.05 mrad
Power Stability (rms, over 4 hours)	± 10%
Warm-up Time	< 15 minutes
TTL modulation	Optional, 1-30kHz
Beam Height from the Base (mm)	22.5 mm
Expected Lifetime	10,000 Hours

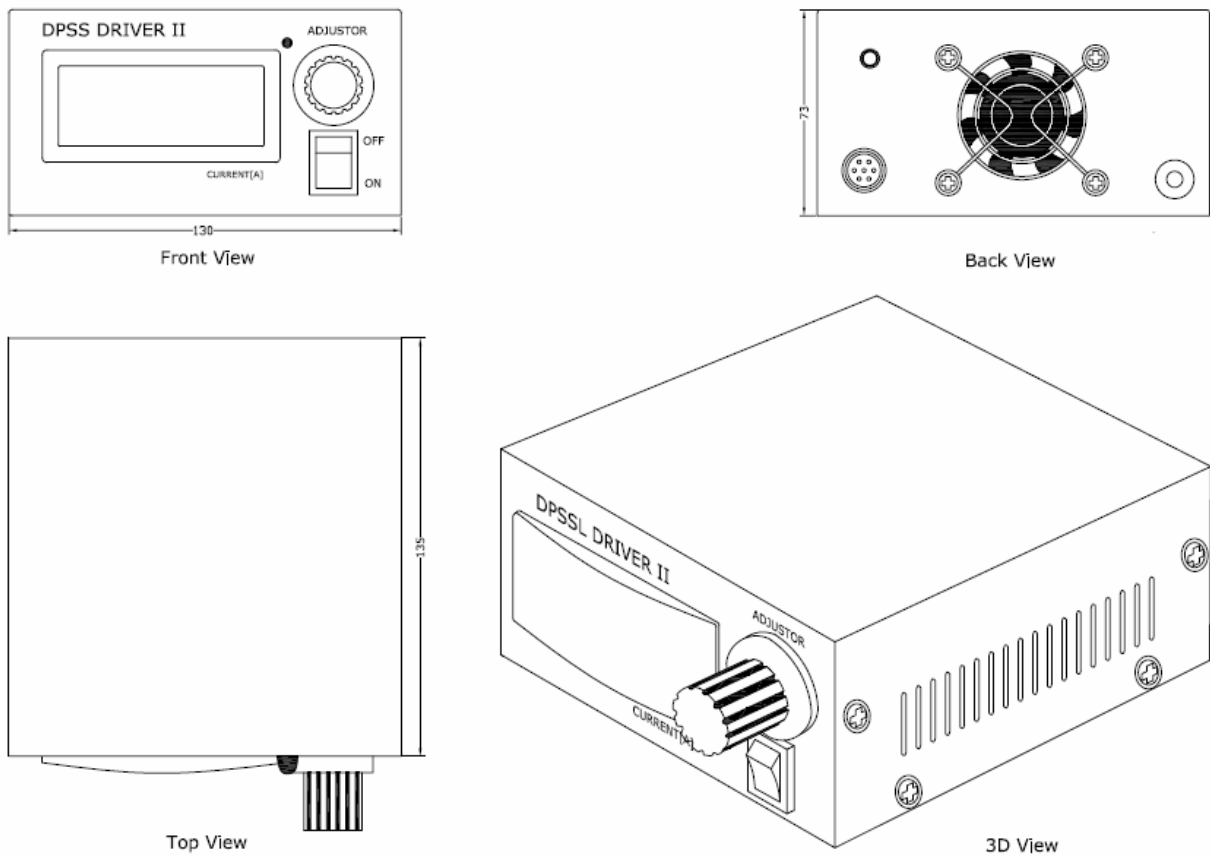
Utility and Environmental Requirements

Operating Voltage	85-260VAC (or Optional 5VDC ± 5%)
Power Consumption	< 50W
Maximum Laser Head Baseplate Temperature for Conductive Cooling	35°C
Ambient Temperature Operating Range	20-30°C
Storage Temperature	-10°C to 60°C
Dimensions (LxWxH)	
Laser Head	130 x 58 x 45 mm
Power Supply	135 x 130 x 73 mm
Cable - Laser Head to Power Supply	0.8 m
Weights	
Laser Head	0.90 kg
Power Supply	0.80 kg

Dimension Diagram: Laser Head (Specifications in mm)



Dimension Diagram: Power Supply (Specifications in mm)



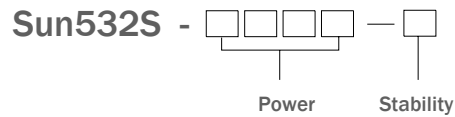
Warranty

AOTK offers a limited warranty for all laser systems. AOTK diode-pumped solid state lasers are warranted to be free of defects in materials and workmanship for 12 months from the date of shipment. For full details of this warranty coverage of further products information, please refer to the Service and Support section at www.AOTK.com, or contact your local Sales or Service representative.

Ordering information:

For more information on this or other products and their availability, please contact the sales management of AOTK, Inc.

Sample: Sun532S - 0200-5 (Sun532S Model, Wavelength: 532nm, Output Power: 200mW, Power Stability: 5%)



Laser safety and electrical safety:

Caution! Visible and invisible laser radiation is extremely dangerous. Avoid eye or skin exposure to direct radiation or diffuse reflection. Most AOTK laser systems fall into class III or class IV laser classification. Most laser systems utilize different level AC and DC voltage in both laser head and power supply. All AOTK products are designed in a compact package.

NOTES

1. Due to our continuous product improvement program, specifications may change without notice.
2. Specifications apply to operation at the wavelength noted.
3. All statements, technical information and recommendations related to the products herein are based upon information believed to be reliable or accuracy or completeness thereof is not guaranteed, and no responsibility is assumed for any inaccuracies. The user assumes all risks and liability whatsoever in connection with the use of a product or its application, AOTK reserves the right to change at any time of a product offered for sale herein. AOTK makes no representations that the products herein are free from any intellectual property claims of others. Please contact AOTK for more information.