

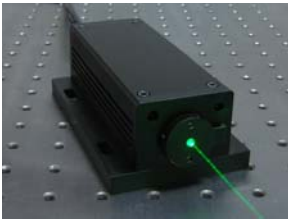
Single Frequency Green DPSS Laser

Key Features

- Compact
- High Reliability
- Low Noise
- Single Frequency Output
- Superior Performance
- Long Lifetime

Applications

- DNA Sequencing
- Flow Cytometry
- Cell Sorting
- Instrument
- spectrum Analysis
- Interference
- Measurement
- Holography
- Laser Printing
- Chip Inspection
- Physics Experiments



Action532S

AOTK Action532S lasers are ultra compact, continuous wave, diode-pumped all-solid-state of 532nm laser. Single-longitudinal mode operation provides a narrow spectral bandwidth, low noise and long coherence length. The laser is designed and manufactured to ensure a high level of reliability

The Action532S lasers are intended for stand-alone use in laboratory environment or for integration as OEM component in equipment for applications including DNA sequencing, flow cytometry, laser scanning cytometry, wafer inspection, printing, spectroscopy, holography and projection displays etc.

Available output power is 10, 20, 50, 100, 150, 200mW and higher power.

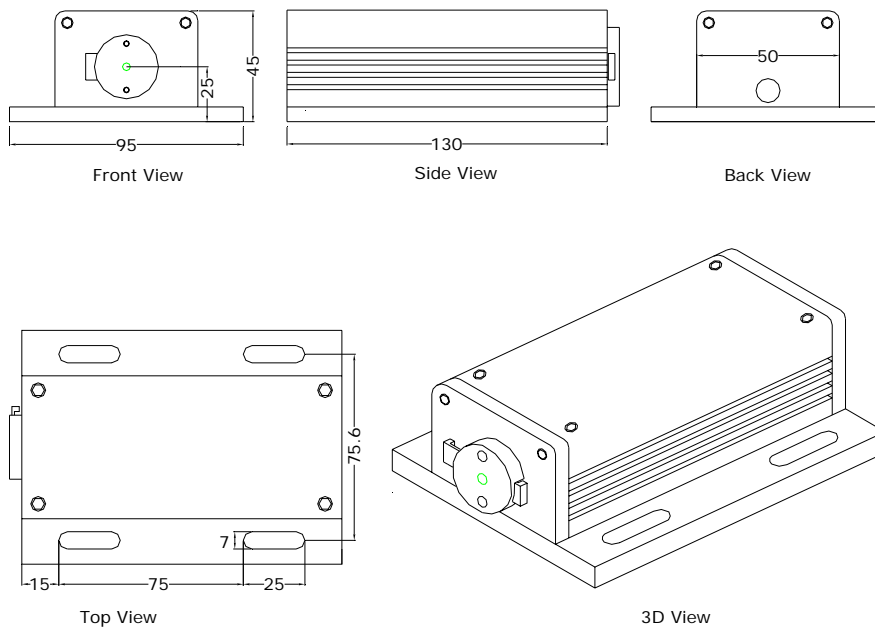
Specifications

Wavelength	532 nm
Operating Mode	CW
Output Power	20, 50, 100, 150, 200 mW
Spatial Mode	TEM ₀₀
Longitudinal Mode	Single
Mode Quality M ²	< 1.2
Spectral Linewidth	< 0.0001 nm
Coherent Length	> 100 m
Beam Diameter @ 1/e ²	1.9 mm ± 0.2 mm
Beam Divergence (full angle)	< 1.5 mrad
Beam Ellipticity	< 10%
Pointing Stability	< 0.05 mrad
Noise (10 Hz to 1 MHz)	< 0.5% rms
Power Stability (rms, over 4 hours)	< ± 1%, < ± 3%, < ± 5%
Polarization Ratio	> 100:1, 45 degree
Warm-up Time	< 15 minutes
Beam Height from the Base (mm)	25 mm
Expected Lifetime	>10,000 Hours

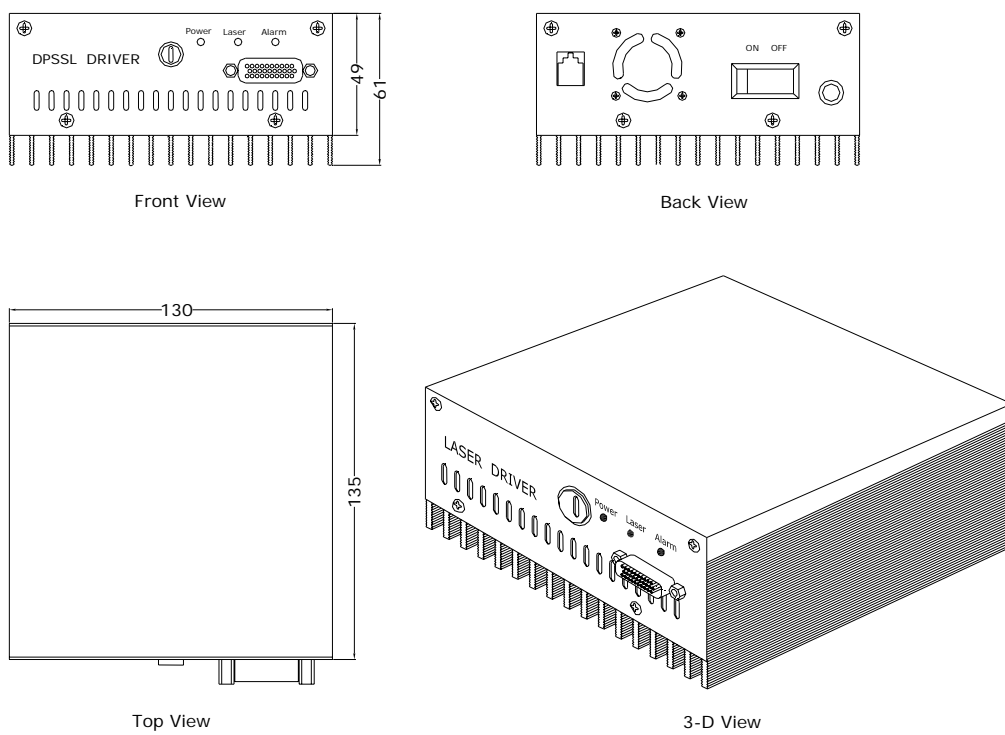
Utility and Environmental Requirements

Operating Voltage	85-260VAC (or Optional 5VDC ± 5%)
Power Consumption	< 50W
Maximum Laser Head Baseplate Temperature for Conductive Cooling	35°C
Ambient Temperature Operating Range	10-35°C
Storage Temperature	-20°C to 70°C
Dimensions (LxWxH)	
Laser Head	130 x 50 x 45 mm
Power Supply	135 x 130 x 61 mm
Cable - Laser Head to Power Supply	0.8 m
Weights	
Laser Head	0.75 kg
Power Supply	1.1 kg

Dimension Diagram: Laser Head (Specifications in mm)



Dimension Diagram: Power Supply (Specifications in mm)



Warranty

AOTK offers a limited warranty for all laser systems. AOTK diode-pumped solid state lasers are warranted to be free of defects in materials and workmanship for 12 months from the date of shipment. For full details of this warranty coverage of further products information, please refer to the Service and Support section at www.AOTK.com, or contact your local Sales or Service representative.

Ordering information:

For more information on this or other products and their availability, please contact the sales management of AOTK, Inc.

Sample: Action532S - 0100-5 (Action532S Model, Wavelength: 532nm, Output Power: 100mW, Power Stability: 5%)



Laser safety and electrical safety:

Caution! Visible and invisible laser radiation is extremely dangerous. Avoid eye or skin exposure to direct radiation or diffuse reflection. Most AOTK laser systems fall into class III or class IV laser classification. Most laser systems utilize different level AC and DC voltage in both laser head and power supply. All AOTK products are designed in a compact package.

NOTES

1. Due to our continuous product improvement program, specifications may change without notice.
2. Specifications apply to operation at the wavelength noted.
3. All statements, technical information and recommendations related to the products herein are based upon information believed to be reliable or accuracy or completeness thereof is not guaranteed, and no responsibility is assumed for any inaccuracies. The user assumes all risks and liability whatsoever in connection with the use of a product or its application, AOTK reserves the right to change at any time of a product offered for sale herein. AOTK makes no representations that the products herein are free from any intellectual property claims of others. Please contact AOTK for more information.

Single Frequency Green DPSS Laser

Key Features

- Compact
- High Reliability
- Low Noise
- Single Frequency Output
- Superior Performance
- Long Lifetime

Applications

- DNA Sequencing
- Flow Cytometry
- Cell Sorting
- Instrument
- spectrum Analysis
- Interference
- Measurement
- Holography
- Laser Printing
- Chip Inspection
- Physics Experiments



Action532G

AOTK Action532G lasers are ultra compact, continuous wave, diode-pumped all-solid-state of 532nm laser. Single-longitudinal mode operation provides a narrow spectral bandwidth, low noise and long coherence length. The laser is designed and manufactured to ensure a high level of reliability

The Action532G lasers are intended for stand-alone use in laboratory environment or for integration as OEM component in equipment for applications including DNA sequencing, flow cytometry, laser scanning cytometry, wafer inspection, printing, spectroscopy, holography and projection displays etc.

Available output power is 200mW, 500mW and higher power.

Specifications

Wavelength	532 nm
Operating Mode	CW
Output Power	200 mW, 500mW
Spatial Mode	TEM ₀₀
Longitudinal Mode	Single
Mode Quality M ²	1.2 ± 5%
Spectral Linewidth	< 150 KHz
Coherent Length	> 100 m
Beam Diameter @ 1/e ²	1.9 mm ± 2%
Beam Divergence (full angle)	0.5 mrad ± 5%
Beam Ellipticity	< 10%
Short-time stability	< 0.25% rms
Noise (10 Hz to 1 MHz)	< 0.25% rms
Power Stability (rms, over 3 hours)	± 1%
Polarization Ratio	> 100:1
Frequency Drift	< 10MHz/minuter
Warm-up Time	< 15 minutes
Expected Lifetime	>10,000 Hours

Utility and Environmental Requirements

Operating Voltage	220VAC/50Hz or 110VAC/60Hz
Power Consumption	< 150-200W
Maximum Laser Head Baseplate Temperature for Conductive Cooling	35°C
Ambient Temperature Operating Range	15-35°C (Optimum 25-28°C)
Storage Temperature	-20°C to 70°C
Dimensions (LxWxH)	
Laser Head	320 x 170 x 120 mm
Power Supply & Temperature Controller	400 x 300 x 90 mm & 400 x 300 x 91 mm
Cable - Laser Head to Power Supply	1.0 m
Weights	
Laser Head	4 kg
Power Supply & Temperature Controller	15 kg

Warranty

AOTK offers a limited warranty for all laser systems. AOTK diode-pumped solid state lasers are warranted to be free of defects in materials and workmanship for 12 months from the date of shipment. For full details of this warranty coverage of further products information, please refer to the Service and Support section at www.AOTK.com, or contact your local Sales or Service representative.

Ordering information:

For more information on this or other products and their availability, please contact the sales management of AOTK, Inc.

Sample: Action532G-0200-1 (Action532G Model, Wavelength: 532nm, Output Power: 200mW, Power Stability: 1%)



Laser safety and electrical safety:

Caution! Visible and invisible laser radiation is extremely dangerous. Avoid eye or skin exposure to direct radiation or diffuse reflection. Most AOTK laser systems fall into class III or class IV laser classification. Most laser systems utilize different level AC and DC voltage in both laser head and power supply. All AOTK products are designed in a compact package.

NOTES

1. Due to our continuous product improvement program, specifications may change without notice.
2. Specifications apply to operation at the wavelength noted.
3. All statements, technical information and recommendations related to the products herein are based upon information believed to be reliable or accuracy or completeness thereof is not guaranteed, and no responsibility is assumed for any inaccuracies. The user assumes all risks and liability whatsoever in connection with the use of a product or its application, AOTK reserves the right to change at any time of a product offered for sale herein. AOTK makes no representations that the products herein are free from any intellectual property claims of others. Please contact AOTK for more information.

Single Frequency Green DPSS Laser

Key Features

- Compact
- High Reliability
- Low Noise
- Single Frequency Output
- Superior Performance
- Long Lifetime

Applications

- DNA Sequencing
- Flow Cytometry
- Cell Sorting
- Instrument
- spectrum Analysis
- Interference
- Measurement
- Holography
- Laser Printing
- Chip Inspection
- Physics Experiments



Action532H

AOTK Action532H lasers are ultra compact, continuous wave, diode-pumped all-solid-state of 532nm laser. Single-longitudinal mode operation provides a narrow spectral bandwidth, low noise and long coherence length. The laser is designed and manufactured to ensure a high level of reliability

The Action532H lasers are intended for stand-alone use in laboratory environment or for integration as OEM component in equipment for applications including DNA sequencing, flow cytometry, laser scanning cytometry, wafer inspection, printing, spectroscopy, holography and projection displays etc.

Available output power is 3W, 5W and higher power.

Specifications

Wavelength	532 nm
Operating Mode	CW
Output Power	3W, 5W
Spatial Mode	TEM ₀₀
Longitudinal Mode	Single
Mode Quality M ²	1.2 ± 5%
Spectral Linewidth	< 62 KHz (30S)
Coherent Length	> 100 m
Beam Diameter @ 1/e ²	1.9 mm ± 2%
Beam Divergence (full angle)	1.0 mrad ± 5%
Beam Ellipticity	< 10%
Linewidth	< 2.5MHz
Noise	< 0.4% RMS
Power Stability (rms, over 3 hours)	< ± 1.2%
Polarization Ratio	> 100:1
Warm-up Time	< 15 minutes
Expected Lifetime	>10,000 Hours

Utility and Environmental Requirements

Operating Voltage	220VAC/50Hz or 110VAC/60Hz
Power Consumption	< 400W
Maximum Laser Head Baseplate Temperature for Conductive Cooling	35°C
Ambient Temperature Operating Range	15-35°C (Optimum 25-28°C)
Storage Temperature	-20°C to 70°C
Dimensions (LxWxH)	
Laser Head	300 x 200 x 160 mm
Power Supply & Temperature Controller	400 x 300 x 90 mm & 400 x 300 x 91 mm
Cable - Laser Head to Power Supply	1.0 m
Weights	
Laser Head	22 kg
Power Supply & Temperature Controller	15 kg

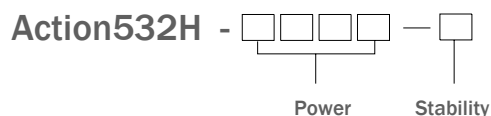
Warranty

AOTK offers a limited warranty for all laser systems. AOTK diode-pumped solid state lasers are warranted to be free of defects in materials and workmanship for 12 months from the date of shipment. For full details of this warranty coverage of further products information, please refer to the Service and Support section at www.AOTK.com, or contact your local Sales or Service representative.

Ordering information:

For more information on this or other products and their availability, please contact the sales management of AOTK, Inc.

Sample: Action532H-3000 (Action532H Model, Wavelength: 532nm, Output Power: 3000mW, Power Stability: 1.2%)



Laser safety and electrical safety:

Caution! Visible and invisible laser radiation is extremely dangerous. Avoid eye or skin exposure to direct radiation or diffuse reflection. Most AOTK laser systems fall into class III or class IV laser classification. Most laser systems utilize different level AC and DC voltage in both laser head and power supply. All AOTK products are designed in a compact package.

NOTES

1. Due to our continuous product improvement program, specifications may change without notice.
2. Specifications apply to operation at the wavelength noted.
3. All statements, technical information and recommendations related to the products herein are based upon information believed to be reliable or accuracy or completeness thereof is not guaranteed, and no responsibility is assumed for any inaccuracies. The user assumes all risks and liability whatsoever in connection with the use of a product or its application, AOTK reserves the right to change at any time of a product offered for sale herein. AOTK makes no representations that the products herein are free from any intellectual property claims of others. Please contact AOTK for more information.

Single Frequency IR DPSS Laser

Key Features

- Compact
- High Reliability
- Low Noise
- Single Frequency Output
- Superior Performance
- Long Lifetime

Applications

- DNA Sequencing
- Flow Cytometry
- Cell Sorting
- Instrument
- spectrum Analysis
- Interference
- Measurement
- Holography
- Laser Printing
- Chip Inspection
- Physics Experiments



Action1064G

AOTK Action1064G lasers are ultra compact, continuous wave, diode-pumped all-solid-state of 1064nm laser. Single-longitudinal mode operation provides a narrow spectral bandwidth, low noise and long coherence length. The laser is designed and manufactured to ensure a high level of reliability.

The Action1064G lasers are intended for stand-alone use in laboratory environment or for integration as OEM component in equipment for applications including DNA sequencing, flow cytometry, laser scanning cytometry, wafer inspection, printing, spectroscopy, holography and projection displays etc.

Available output power is 700mW, 1500mW and higher power.

Specifications

Wavelength	1064 nm
Operating Mode	CW
Output Power	700 mW, 1500 mW
Spatial Mode	TEM ₀₀
Longitudinal Mode	Single
Mode Quality M ²	1.2 ±5%
Spectral Linewidth	< 150 KHz
Coherent Length	> 100 m
Beam Diameter @ 1/e ²	1.9 mm ±2%
Beam Divergence (full angle)	0.8 mrad ±5%
Beam Ellipticity	< 10%
Short-time stability	< 0.25% rms
Noise (10 Hz to 1 MHz)	< 0.25% rms
Power Stability (rms, over 3 hours)	±1%
Polarization Ratio	> 100:1
Frequency Wandering	< 10Mhz/minuter
Warm-up Time	< 15 minutes
Expected Lifetime	>10,000 Hours

Utility and Environmental Requirements

Operating Voltage	220VAC/50Hz or 110VAC/60Hz
Power Consumption	< 200W
Maximum Laser Head Baseplate Temperature for Conductive Cooling	35°C
Ambient Temperature Operating Range	15-35°C (Optimum 25-28°C)
Storage Temperature	-20°C to 70°C
Dimensions (LxWxH)	
Laser Head	300 x 170 x 120 mm
Power Supply & Temperature Controller	400 x 300 x 90 mm & 400 x 300 x 91 mm
Cable - Laser Head to Power Supply	1.0 m
Weights	
Laser Head	4 kg
Power Supply & Temperature Controller	15 kg

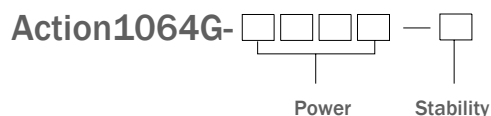
Warranty

AOTK offers a limited warranty for all laser systems. AOTK diode-pumped solid state lasers are warranted to be free of defects in materials and workmanship for 12 months from the date of shipment. For full details of this warranty coverage of further products information, please refer to the Service and Support section at www.AOTK.com, or contact your local Sales or Service representative.

Ordering information:

For more information on this or other products and their availability, please contact the sales management of AOTK, Inc.

Sample: Action1064G-0700-1 (Action1064G Model, Wavelength: 1064nm, Output Power: 700mW, Power Stability: 1%)



Laser safety and electrical safety:

Caution! Visible and invisible laser radiation is extremely dangerous. Avoid eye or skin exposure to direct radiation or diffuse reflection. Most AOTK laser systems fall into class III or class IV laser classification. Most laser systems utilize different level AC and DC voltage in both laser head and power supply. All AOTK products are designed in a compact package.

NOTES

1. Due to our continuous product improvement program, specifications may change without notice.
2. Specifications apply to operation at the wavelength noted.
3. All statements, technical information and recommendations related to the products herein are based upon information believed to be reliable or accuracy or completeness thereof is not guaranteed, and no responsibility is assumed for any inaccuracies. The user assumes all risks and liability whatsoever in connection with the use of a product or its application, AOTK reserves the right to change at any time of a product offered for sale herein. AOTK makes no representations that the products herein are free from any intellectual property claims of others. Please contact AOTK for more information.

Single Frequency IR DPSS Laser

Key Features

- Compact
- High Reliability
- Low Noise
- Single Frequency Output
- Superior Performance
- Long Lifetime

Applications

- DNA Sequencing
- Flow Cytometry
- Cell Sorting
- Instrument
- spectrum Analysis
- Interference
- Measurement
- Holography
- Laser Printing
- Chip Inspection
- Physics Experiments



Action1064H

AOTK Action1064H lasers are ultra compact, continuous wave, diode-pumped all-solid-state of 1064nm laser. Single-longitudinal mode operation provides a narrow spectral bandwidth, low noise and long coherence length. The laser is designed and manufactured to ensure a high level of reliability.

The Action1064H lasers are intended for stand-alone use in laboratory environment or for integration as OEM component in equipment for applications including DNA sequencing, flow cytometry, laser scanning cytometry, wafer inspection, printing, spectroscopy, holography and projection displays etc.

Available output power is 10W and higher power.

Specifications

Wavelength	1064 nm
Operating Mode	CW
Output Power	10W
Spatial Mode	TEM ₀₀
Longitudinal Mode	Single
Mode Quality M ²	1.2 ±5%
Spectral Linewidth	< 150 KHz
Coherent Length	> 100 m
Beam Diameter @ 1/e ²	1.9 mm ±2%
Beam Divergence (full angle)	1.0 mrad ±5%
Beam Ellipticity	< 10%
Short-time stability	< 0.25% rms
Noise (10 Hz to 1 MHz)	< 0.25% rms
Power Stability (rms, over 3 hours)	±1%
Polarization Ratio	> 100:1
Frequency Drift	< 10Mhz/minuter
Warm-up Time	< 15 minutes
Expected Lifetime	>10,000 Hours

Utility and Environmental Requirements

Operating Voltage	220VAC/50Hz or 110VAC/60Hz
Power Consumption	< 400W
Maximum Laser Head Baseplate Temperature for Conductive Cooling	35°C
Ambient Temperature Operating Range	15-35°C (Optimum 25-28°C)
Storage Temperature	-20°C to 70°C
Dimensions (LxWxH)	
Laser Head	300 x 200 x 200 mm
Power Supply & Temperature Controller	400 x 300 x 90 mm & 400 x 300 x 91 mm
Cable - Laser Head to Power Supply	1.0 m
Weights	
Laser Head	20 kg
Power Supply & Temperature Controller	15 kg

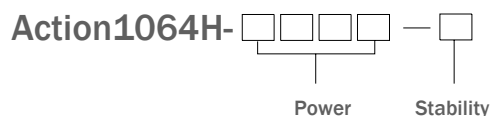
Warranty

AOTK offers a limited warranty for all laser systems. AOTK diode-pumped solid state lasers are warranted to be free of defects in materials and workmanship for 12 months from the date of shipment. For full details of this warranty coverage of further products information, please refer to the Service and Support section at www.AOTK.com, or contact your local Sales or Service representative.

Ordering information:

For more information on this or other products and their availability, please contact the sales management of AOTK, Inc.

Sample: Action1064H-5000-1 (Action1064H Model, Wavelength: 1064nm, Output Power: 5W, Power Stability: 1%)



Laser safety and electrical safety:

Caution! Visible and invisible laser radiation is extremely dangerous. Avoid eye or skin exposure to direct radiation or diffuse reflection. Most AOTK laser systems fall into class III or class IV laser classification. Most laser systems utilize different level AC and DC voltage in both laser head and power supply. All AOTK products are designed in a compact package.

NOTES

1. Due to our continuous product improvement program, specifications may change without notice.
2. Specifications apply to operation at the wavelength noted.
3. All statements, technical information and recommendations related to the products herein are based upon information believed to be reliable or accuracy or completeness thereof is not guaranteed, and no responsibility is assumed for any inaccuracies. The user assumes all risks and liability whatsoever in connection with the use of a product or its application, AOTK reserves the right to change at any time of a product offered for sale herein. AOTK makes no representations that the products herein are free from any intellectual property claims of others. Please contact AOTK for more information.