

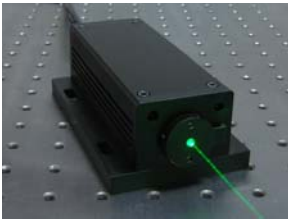
Low Noise Green DPSS Laser

Key Features

- Compact
- High Reliability
- Low Noise
- Superior Performance
- Long Lifetime

Applications

- DNA Sequencing
- Flow Cytometry
- Cell Sorting
- Instrument
- spectrum Analysis
- Interference
- Measurement
- Holography
- Laser Printing
- Chip Inspection
- Physics Experiments



Epod532S

AOTK Epod532S lasers are ultra compact, continuous wave, diode-pumped all-solid-state of 532nm laser. The laser is designed and manufactured to ensure a high level of reliability

The Epod532S lasers are intended for stand-alone use in laboratory environment or for integration as OEM component in equipment for applications including DNA sequencing, flow cytometry, laser scanning cytometry, wafer inspection, printing, spectroscopy, holography and projection displays etc.

Available output power is 50, 100, 150, 200, 300, 400, 450mW and higher power.

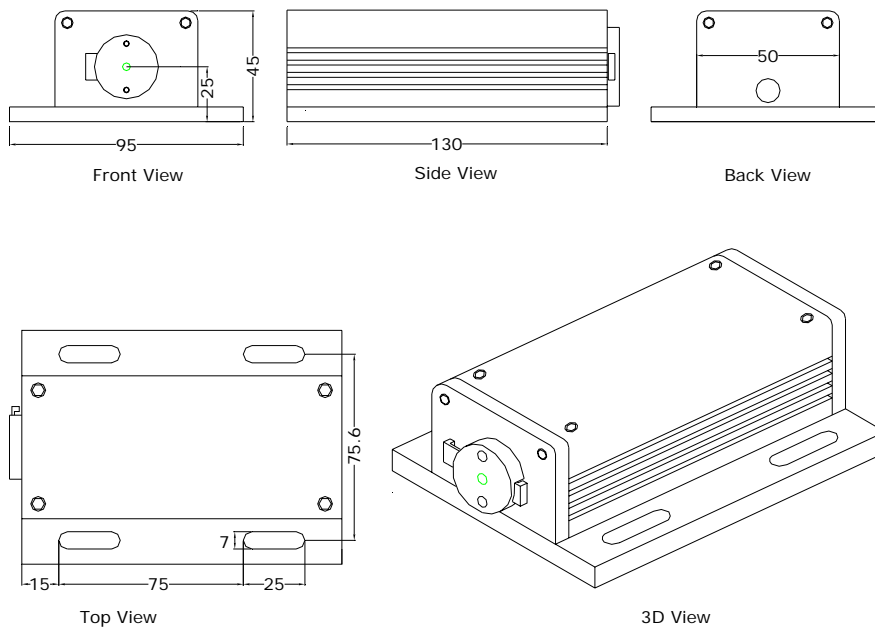
Specifications

| | |
|-------------------------------------|------------------------------------|
| Wavelength | 532 nm |
| Operating Mode | CW |
| Output Power | 50, 100, 150, 200, 300, 400, 450mW |
| Spatial Mode | TEM ₀₀ |
| Longitudinal Mode | Several |
| Mode Quality M ² | < 1.2 |
| Spectral Linewidth | < 0.1 nm |
| Coherent Length | > 1 m |
| Beam Diameter @ 1/e ² | 1.9 mm ± 0.2 mm |
| Beam Divergence (full angle) | < 1.5 mrad |
| Beam Ellipticity | < 10% |
| Pointing Stability | < 0.05 mrad |
| Noise (10 Hz to 1 MHz) | < 1% rms |
| Power Stability (rms, over 4 hours) | < ±1%, < ±3%, < ±5% |
| Polarization Ratio | > 100:1, 0 or 90 degree |
| Warm-up Time | < 15 minutes |
| Beam Height from the Base (mm) | 25 mm |
| Expected Lifetime | >10,000 Hours |

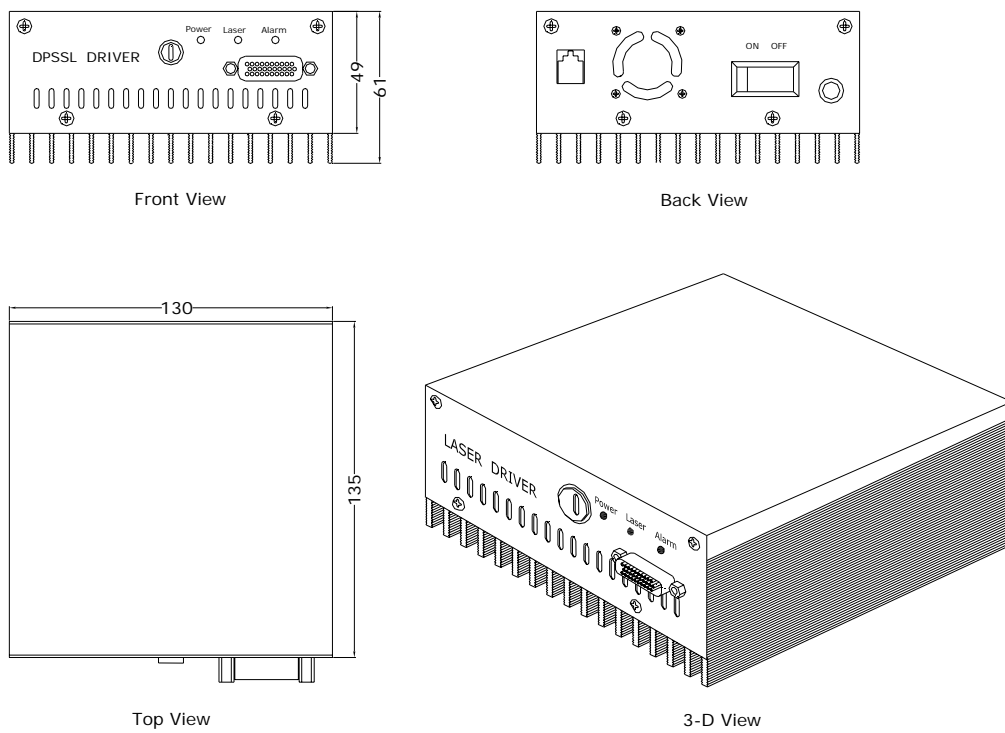
Utility and Environmental Requirements

| | |
|---|-----------------------------------|
| Operating Voltage | 85-260VAC (or Optional 5VDC ± 5%) |
| Power Consumption | < 50W |
| Maximum Laser Head Baseplate Temperature for Conductive Cooling | 35°C |
| Ambient Temperature Operating Range | 10-35°C |
| Storage Temperature | -20°C to 70°C |
| Dimensions (LxWxH) | |
| Laser Head | 130 x 50 x 45 mm |
| Power Supply | 135 x 130 x 61 mm |
| Cable - Laser Head to Power Supply | 0.8 m |
| Weights | |
| Laser Head | 0.75 kg |
| Power Supply | 1.1 kg |

Dimension Diagram: Laser Head (Specifications in mm)



Dimension Diagram: Power Supply (Specifications in mm)



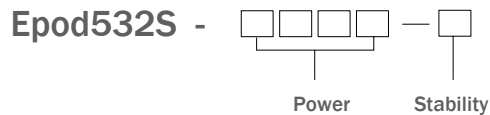
Warranty

AOTK offers a limited warranty for all laser systems. AOTK diode-pumped solid state lasers are warranted to be free of defects in materials and workmanship for 12 months from the date of shipment. For full details of this warranty coverage of further products information, please refer to the Service and Support section at www.AOTK.com, or contact your local Sales or Service representative.

Ordering information:

For more information on this or other products and their availability, please contact the sales management of AOTK, Inc.

Sample: Epod532S - 0300-3 (Epod532S Model, Wavelength: 532nm, Output Power: 300mW, Power Stability: 3%)



Laser safety and electrical safety:

Caution! Visible and invisible laser radiation is extremely dangerous. Avoid eye or skin exposure to direct radiation or diffuse reflection. Most AOTK laser systems fall into class III or class IV laser classification. Most laser systems utilize different level AC and DC voltage in both laser head and power supply. All AOTK products are designed in a compact package.

NOTES

1. Due to our continuous product improvement program, specifications may change without notice.
2. Specifications apply to operation at the wavelength noted.
3. All statements, technical information and recommendations related to the products herein are based upon information believed to be reliable or accuracy or completeness thereof is not guaranteed, and no responsibility is assumed for any inaccuracies. The user assumes all risks and liability whatsoever in connection with the use of a product or its application, AOTK reserves the right to change at any time of a product offered for sale herein. AOTK makes no representations that the products herein are free from any intellectual property claims of others. Please contact AOTK for more information.

Low Noise Green DPSS Laser

Key Features

- Compact
- High Reliability
- Low Noise
- Superior Performance
- Long Lifetime

Applications

- DNA Sequencing
- Flow Cytometry
- Cell Sorting
- Instrument
- spectrum Analysis
- Interference
- Measurement
- Holography
- Laser Printing
- Chip Inspection
- Physics Experiments



Epod532M

AOTK Epod532M lasers are ultra compact, continuous wave, diode-pumped all-solid-state of 532nm laser. The laser is designed and manufactured to ensure a high level of reliability

The Epod532M lasers are intended for stand-alone use in laboratory environment or for integration as OEM component in equipment for applications including DNA sequencing, flow cytometry, laser scanning cytometry, wafer inspection, printing, spectroscopy, holography and projection displays etc.

Available output power is 500, 600, 800, 1000, 1200mW and higher power.

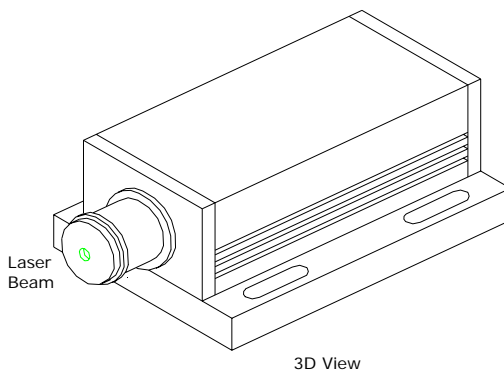
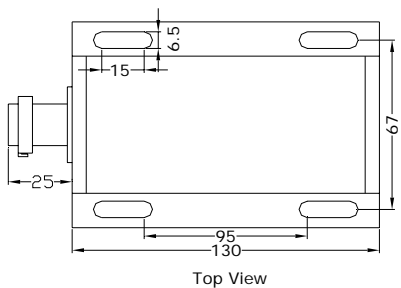
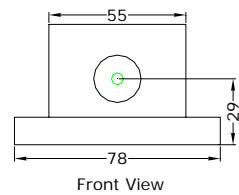
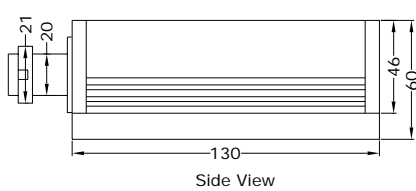
Specifications

| | |
|-------------------------------------|---|
| Wavelength | 532 nm |
| Operating Mode | CW |
| Output Power | 500, 600, 800, 1000, 1200mW |
| Spatial Mode | Near TEM ₀₀ |
| Longitudinal Mode | Several |
| Mode Quality M ² | < 2.0 |
| Spectral Linewidth | < 0.1 nm |
| Beam Diameter @ 1/e ² | 3.0 mm ± 0.2 mm |
| Beam Divergence (full angle) | < 2.0 mrad |
| Beam Ellipticity | < 10% |
| Pointing Stability | < 0.05 mrad |
| Noise (10 Hz to 1 MHz) | < 1% rms |
| Power Stability (rms, over 4 hours) | < ± 1%, < ± 3%, < ± 5% |
| Polarization Ratio | > 100:1 |
| Warm-up Time | < 15 minutes |
| Beam Height from the Base (mm) | 29 mm |
| Expected Lifetime | > 10,000 Hours |
| TTL modulation | Optional, 1-10kHz or higher (If request, higher rate up to 40kHz available) |
| Analog modulation | Optional, 1-10kHz or higher (0~max output when 0~5VDC signal input) |

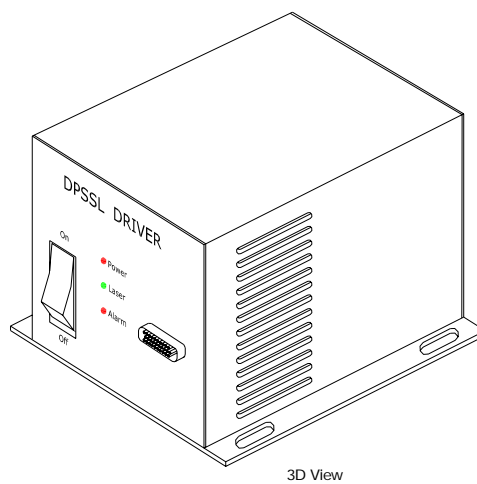
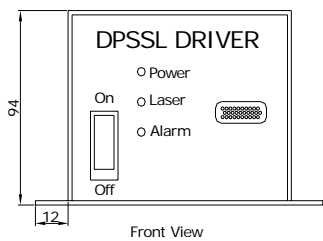
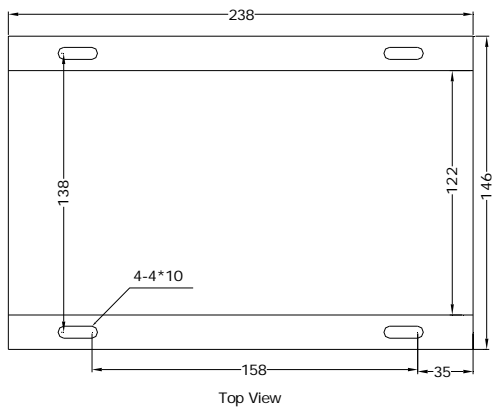
Utility and Environmental Requirements

| | |
|--|-------------------|
| Operating Voltage | 85-260VAC |
| Power Consumption | < 60W |
| Maximum Laser Head Baseplate Temperature for Conductive Cooling | 35°C |
| Ambient Temperature Operating Range | 10-35°C |
| Storage Temperature | -20°C to 70°C |
| Dimensions (LxWxH) | |
| Laser Head | 155 x 78 x 60 mm |
| Power Supply | 238 x 146 x 95 mm |
| Cable - Laser Head to Power Supply | 0.8 m |
| Weights | |
| Laser Head | 0.85 kg |
| Power Supply | 2.9 kg |

Dimension Diagram: Laser Head (Specifications in mm)



Dimension Diagram: Power Supply (Specifications in mm)



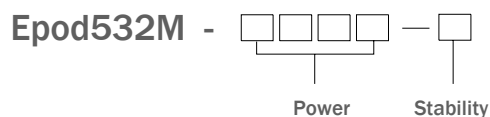
Warranty

AOTK offers a limited warranty for all laser systems. AOTK diode-pumped solid state lasers are warranted to be free of defects in materials and workmanship for 12 months from the date of shipment. For full details of this warranty coverage of further products information, please refer to the Service and Support section at www.AOTK.com, or contact your local Sales or Service representative.

Ordering information:

For more information on this or other products and their availability, please contact the sales management of AOTK, Inc.

Sample: Epod532M - 0600-5 (Epod532M Model, Wavelength: 532nm, Output Power: 600mW, Power Stability: 5%)



Laser safety and electrical safety:

Caution! Visible and invisible laser radiation is extremely dangerous. Avoid eye or skin exposure to direct radiation or diffuse reflection. Most AOTK laser systems fall into class III or class IV laser classification. Most laser systems utilize different level AC and DC voltage in both laser head and power supply. All AOTK products are designed in a compact package.

NOTES

1. Due to our continuous product improvement program, specifications may change without notice.
2. Specifications apply to operation at the wavelength noted.
3. All statements, technical information and recommendations related to the products herein are based upon information believed to be reliable or accuracy or completeness thereof is not guaranteed, and no responsibility is assumed for any inaccuracies. The user assumes all risks and liability whatsoever in connection with the use of a product or its application, AOTK reserves the right to change at any time of a product offered for sale herein. AOTK makes no representations that the products herein are free from any intellectual property claims of others. Please contact AOTK for more information.

Low Noise Green DPSS Laser

Key Features

- Compact
- High Reliability
- Low Noise
- Superior Performance
- Long Lifetime

Applications

- DNA Sequencing
- Flow Cytometry
- Cell Sorting
- Instrument
- spectrum Analysis
- Interference
- Measurement
- Holography
- Laser Printing
- Chip Inspection
- Physics Experiments



Epod532L

AOTK Epod532L lasers are ultra compact, continuous wave, diode-pumped all-solid-state of 532nm laser. The laser is designed and manufactured to ensure a high level of reliability

The Epod532L lasers are intended for stand-alone use in laboratory environment or for integration as OEM component in equipment for applications including DNA sequencing, flow cytometry, laser scanning cytometry, wafer inspection, printing, spectroscopy, holography and projection displays etc.

Available output power is 1500, 2000, 2500mW and higher power.

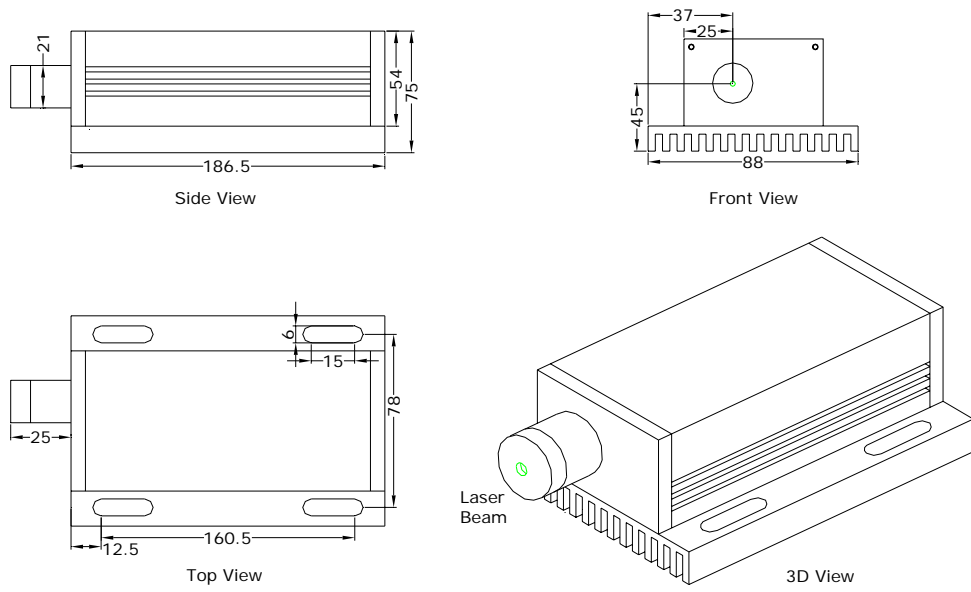
Specifications

| | |
|-------------------------------------|---|
| Wavelength | 532 nm |
| Operating Mode | CW |
| Output Power | 1500, 2000, 2500mW |
| Spatial Mode | Near TEM ₀₀ |
| Longitudinal Mode | Several |
| Mode Quality M ² | < 2.0 |
| Spectral Linewidth | < 0.1 nm |
| Beam Diameter @ 1/e ² | 3.0 mm ± 0.2 mm |
| Beam Divergence (full angle) | < 2.0 mrad |
| Beam Ellipticity | < 10% |
| Pointing Stability | < 0.05 mrad |
| Noise (10 Hz to 1 MHz) | < 1% rms |
| Power Stability (rms, over 4 hours) | < ± 1%, < ± 3%, < ± 5% |
| Polarization Ratio | > 100:1 |
| Warm-up Time | < 15 minutes |
| Beam Height from the Base (mm) | 45 mm |
| Expected Lifetime | > 10,000 Hours |
| TTL modulation | Optional, 1-10kHz or higher (If request, higher rate up to 40kHz available) |
| Analog modulation | Optional, 1-10kHz or higher (0~max output when 0~5VDC signal input) |

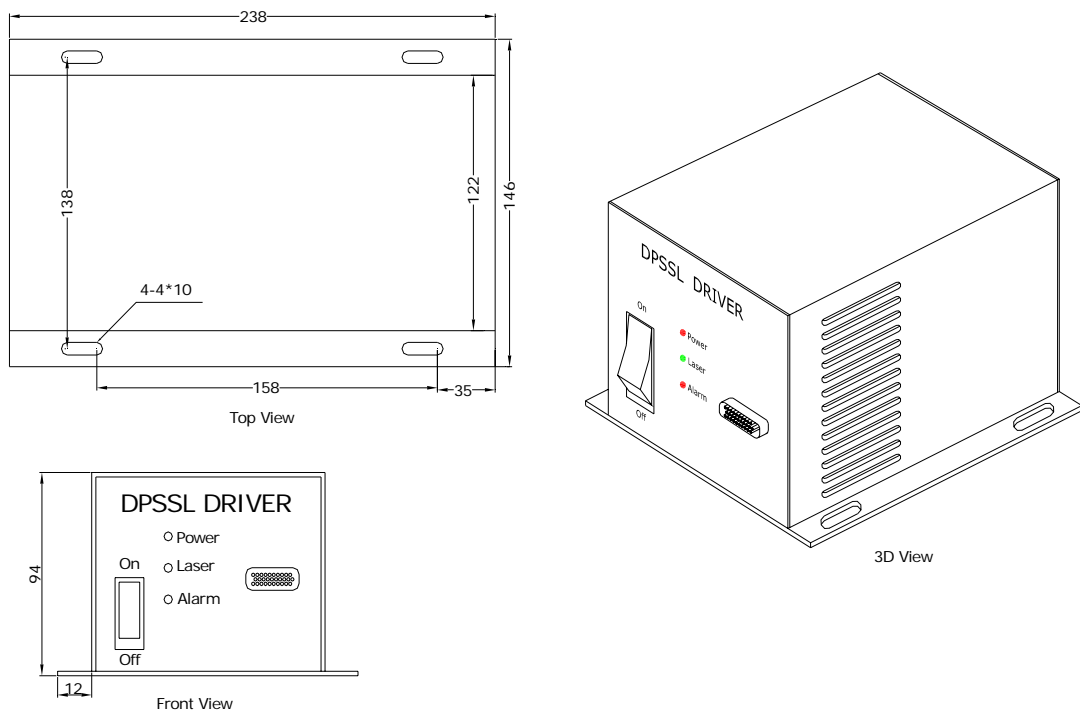
Utility and Environmental Requirements

| | |
|--|--------------------|
| Operating Voltage | 85-260VAC |
| Power Consumption | < 60W |
| Maximum Laser Head Baseplate Temperature for Conductive Cooling | 35°C |
| Ambient Temperature Operating Range | 10-35°C |
| Storage Temperature | -20°C to 70°C |
| Dimensions (LxWxH) | |
| Laser Head | 211.5 x 88 x 75 mm |
| Power Supply | 238 x 146 x 95 mm |
| Cable - Laser Head to Power Supply | 0.8 m |
| Weights | |
| Laser Head | 1.5 kg |
| Power Supply | 2.9 kg |

Dimension Diagram: Laser Head (Specifications in mm)



Dimension Diagram: Power Supply (Specifications in mm)



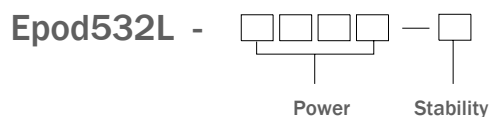
Warranty

AOTK offers a limited warranty for all laser systems. AOTK diode-pumped solid state lasers are warranted to be free of defects in materials and workmanship for 12 months from the date of shipment. For full details of this warranty coverage of further products information, please refer to the Service and Support section at www.AOTK.com, or contact your local Sales or Service representative.

Ordering information:

For more information on this or other products and their availability, please contact the sales management of AOTK, Inc.

Sample: Epod532L - 2000-5 (Epod532L Model, Wavelength: 532nm, Output Power: 2000mW, Power Stability: 5%)



Laser safety and electrical safety:

Caution! Visible and invisible laser radiation is extremely dangerous. Avoid eye or skin exposure to direct radiation or diffuse reflection. Most AOTK laser systems fall into class III or class IV laser classification. Most laser systems utilize different level AC and DC voltage in both laser head and power supply. All AOTK products are designed in a compact package.

NOTES

1. Due to our continuous product improvement program, specifications may change without notice.
2. Specifications apply to operation at the wavelength noted.
3. All statements, technical information and recommendations related to the products herein are based upon information believed to be reliable or accuracy or completeness thereof is not guaranteed, and no responsibility is assumed for any inaccuracies. The user assumes all risks and liability whatsoever in connection with the use of a product or its application, AOTK reserves the right to change at any time of a product offered for sale herein. AOTK makes no representations that the products herein are free from any intellectual property claims of others. Please contact AOTK for more information.

Low Noise Green DPSS Laser

Key Features

- Compact
- High Reliability
- Low Noise
- Superior Performance
- Long Lifetime

Applications

- DNA Sequencing
- Flow Cytometry
- Cell Sorting
- Instrument
- spectrum Analysis
- Interference
- Measurement
- Holography
- Laser Printing
- Chip Inspection
- Physics Experiments



Epod532G

AOTK Epod532G lasers are ultra compact, continuous wave, diode-pumped all-solid-state of 532nm laser. The laser is designed and manufactured to ensure a high level of reliability

The Epod532G lasers are intended for stand-alone use in laboratory environment or for integration as OEM component in equipment for applications including DNA sequencing, flow cytometry, laser scanning cytometry, wafer inspection, printing, spectroscopy, holography and projection displays etc.

Available output power is 3000, 4000, 5000, 6000, 8000, 10000 mW and higher power.

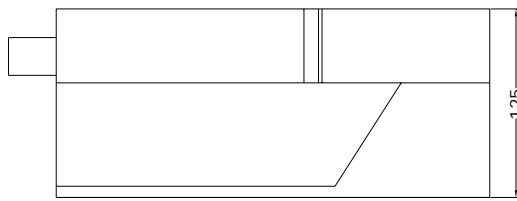
Specifications

| | |
|-------------------------------------|---------------------------------------|
| Wavelength | 532 nm |
| Operating Mode | CW |
| Output Power | 3000, 4000, 5000, 6000, 8000, 10000mW |
| Spatial Mode | Near TEM ₀₀ |
| Longitudinal Mode | Several |
| Mode Quality M ² | < 2.0 |
| Spectral Linewidth | < 0.1 nm |
| Beam Diameter @ 1/e ² | 4.0 mm ± 0.2 mm |
| Beam Divergence (full angle) | < 2.0 mrad |
| Beam Ellipticity | < 10% |
| Pointing Stability | < 0.05 mrad |
| Noise (10 Hz to 1 MHz) | < 1% rms |
| Power Stability (rms, over 4 hours) | < ± 1%, < ± 3%, < ± 5% |
| Polarization Ratio | > 100:1 |
| Warm-up Time | < 15 minutes |
| Beam Height from the Base (mm) | 93.5 mm |
| Expected Lifetime | >10,000 Hours |
| TTL modulation | Optional, up to 2kHz |
| Analog modulation | Optional, up to 2kHz |

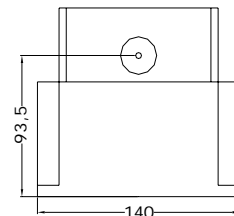
Utility and Environmental Requirements

| | |
|---|--------------------|
| Operating Voltage | 85-260VAC |
| Power Consumption | < 60W |
| Maximum Laser Head Baseplate Temperature for Conductive Cooling | 35°C |
| Ambient Temperature Operating Range | 10-35°C |
| Storage Temperature | -20°C to 70°C |
| Dimensions (LxWxH) | |
| Laser Head | 335 x 140 x 125 mm |
| Power Supply | 325 x 278 x 142 mm |
| Cable - Laser Head to Power Supply | 0.8 m |
| Weights | |
| Laser Head | 8.0 kg |
| Power Supply | 13 kg |

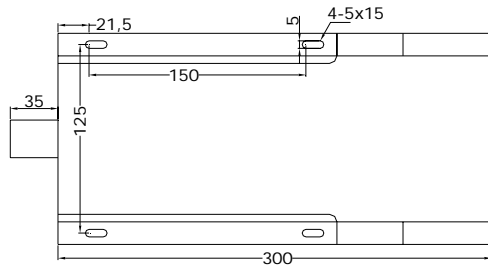
Dimension Diagram: Laser Head (Specifications in mm)



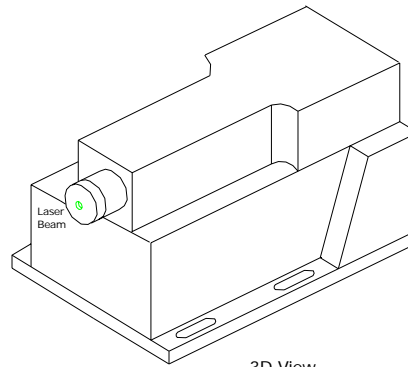
Side View



Front View



Top View

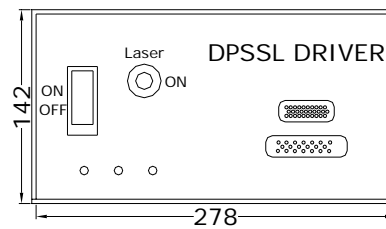


3D View

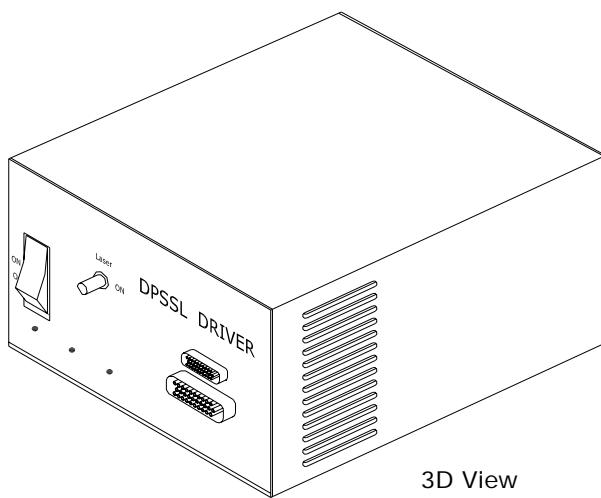
Dimension Diagram: Power Supply (Specifications in mm)



Top View



Front View



3D View

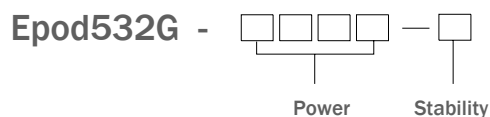
Warranty

AOTK offers a limited warranty for all laser systems. AOTK diode-pumped solid state lasers are warranted to be free of defects in materials and workmanship for 12 months from the date of shipment. For full details of this warranty coverage of further products information, please refer to the Service and Support section at www.AOTK.com, or contact your local Sales or Service representative.

Ordering information:

For more information on this or other products and their availability, please contact the sales management of AOTK, Inc.

Sample: Epod532G - 8000-5 (Epod532G Model, Wavelength: 532nm, Output Power: 8000mW, Power Stability: 5%)



Laser safety and electrical safety:

Caution! Visible and invisible laser radiation is extremely dangerous. Avoid eye or skin exposure to direct radiation or diffuse reflection. Most AOTK laser systems fall into class III or class IV laser classification. Most laser systems utilize different level AC and DC voltage in both laser head and power supply. All AOTK products are designed in a compact package.

NOTES

1. Due to our continuous product improvement program, specifications may change without notice.
2. Specifications apply to operation at the wavelength noted.
3. All statements, technical information and recommendations related to the products herein are based upon information believed to be reliable or accuracy or completeness thereof is not guaranteed, and no responsibility is assumed for any inaccuracies. The user assumes all risks and liability whatsoever in connection with the use of a product or its application, AOTK reserves the right to change at any time of a product offered for sale herein. AOTK makes no representations that the products herein are free from any intellectual property claims of others. Please contact AOTK for more information.

Low Noise Red DPSS Laser

Key Features

- Compact
- High Reliability
- Low Noise
- Superior Performance
- Long Lifetime

Applications

- DNA Sequencing
- Flow Cytometry
- Cell Sorting
- Instrument
- spectrum Analysis
- Interference
- Measurement
- Holography
- Laser Printing
- Chip Inspection
- Physics Experiments



Epod671S

AOTK Epod671S lasers are ultra compact, continuous wave, diode-pumped all-solid-state of 671nm laser. The laser is designed and manufactured to ensure a high level of reliability

The Epod671S lasers are intended for stand-alone use in laboratory environment or for integration as OEM component in equipment for applications including DNA sequencing, flow cytometry, laser scanning cytometry, wafer inspection, printing, spectroscopy, holography and projection displays etc.

Available output power is 50, 100, 150, 200, 300mW and higher power.

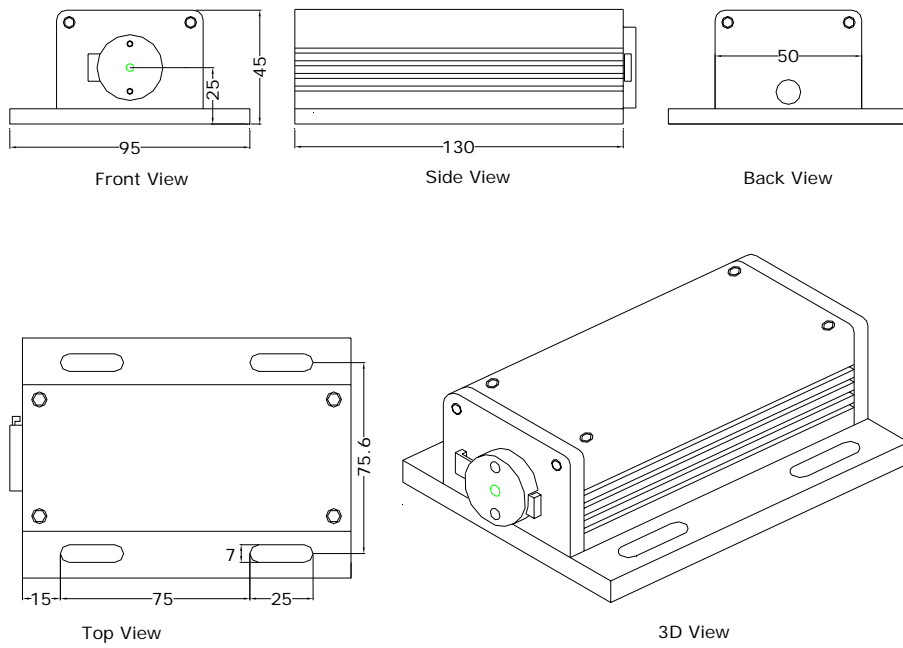
Specifications

| | |
|-------------------------------------|--------------------------|
| Wavelength | 671 nm |
| Operating Mode | CW |
| Output Power | 50, 100, 150, 200, 300mW |
| Spatial Mode | TEM ₀₀ |
| Longitudinal Mode | Several |
| Mode Quality M ² | < 1.2 |
| Spectral Linewidth | < 0.1 nm |
| Coherent Length | > 1 m |
| Beam Diameter @ 1/e ² | 3.0 mm ±0.2 mm |
| Beam Divergence (full angle) | < 1.5 mrad |
| Beam Ellipticity | < 10% |
| Pointing Stability | < 0.05 mrad |
| Noise (10 Hz to 1 MHz) | < 1% rms |
| Power Stability (rms, over 4 hours) | < ±1%, < ±3%, < ±5% |
| Polarization Ratio | > 100:1, 0 or 90 degree |
| Warm-up Time | < 15 minutes |
| Beam Height from the Base (mm) | 25 mm |
| Expected Lifetime | >10,000 Hours |

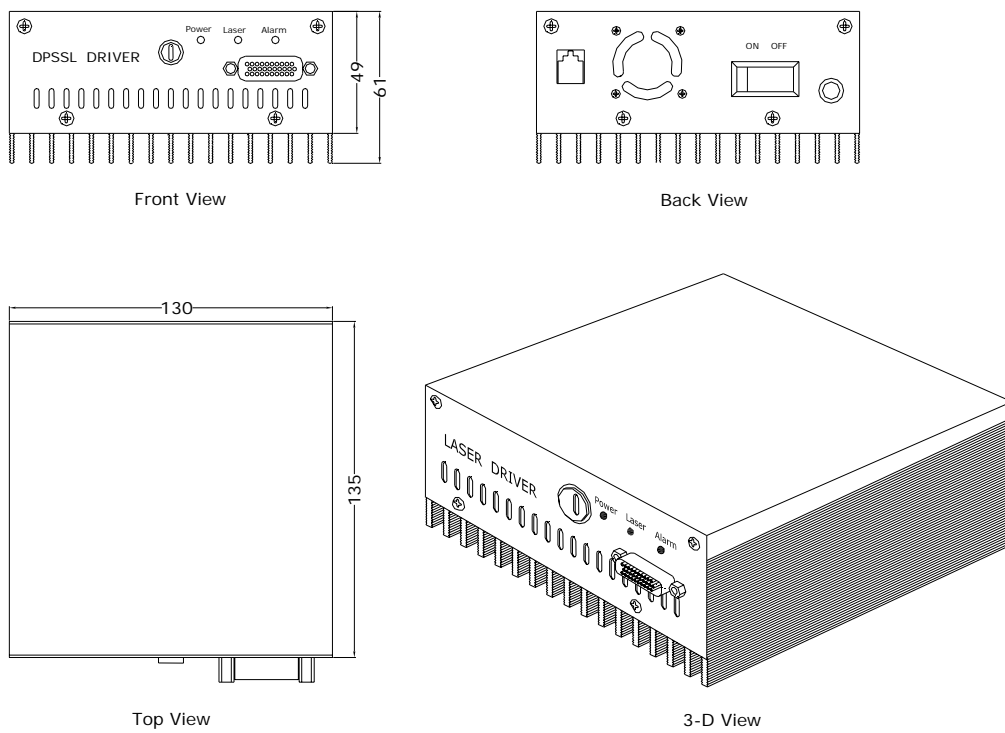
Utility and Environmental Requirements

| | |
|---|----------------------------------|
| Operating Voltage | 85-260VAC (or Optional 5VDC ±5%) |
| Power Consumption | < 50W |
| Maximum Laser Head Baseplate Temperature for Conductive Cooling | 35°C |
| Ambient Temperature Operating Range | 10-35°C |
| Storage Temperature | -20°C to 70°C |
| Dimensions (LxWxH) | |
| Laser Head | 130 x 50 x 45 mm |
| Power Supply | 135 x 130 x 61 mm |
| Cable - Laser Head to Power Supply | 0.8 m |
| Weights | |
| Laser Head | 0.75 kg |
| Power Supply | 1.1 kg |

Dimension Diagram: Laser Head (Specifications in mm)



Dimension Diagram: Power Supply (Specifications in mm)



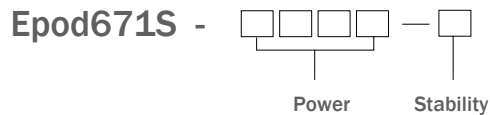
Warranty

AOTK offers a limited warranty for all laser systems. AOTK diode-pumped solid state lasers are warranted to be free of defects in materials and workmanship for 12 months from the date of shipment. For full details of this warranty coverage of further products information, please refer to the Service and Support section at www.AOTK.com, or contact your local Sales or Service representative.

Ordering information:

For more information on this or other products and their availability, please contact the sales management of AOTK, Inc.

Sample: Epod671S - 0200-5 (Epod671S Model, Wavelength: 671nm, Output Power: 200mW, Power Stability: 5%)



Laser safety and electrical safety:

Caution! Visible and invisible laser radiation is extremely dangerous. Avoid eye or skin exposure to direct radiation or diffuse reflection. Most AOTK laser systems fall into class III or class IV laser classification. Most laser systems utilize different level AC and DC voltage in both laser head and power supply. All AOTK products are designed in a compact package.

NOTES

1. Due to our continuous product improvement program, specifications may change without notice.
2. Specifications apply to operation at the wavelength noted.
3. All statements, technical information and recommendations related to the products herein are based upon information believed to be reliable or accuracy or completeness thereof is not guaranteed, and no responsibility is assumed for any inaccuracies. The user assumes all risks and liability whatsoever in connection with the use of a product or its application, AOTK reserves the right to change at any time of a product offered for sale herein. AOTK makes no representations that the products herein are free from any intellectual property claims of others. Please contact AOTK for more information.

Low Noise Red DPSS Laser

Key Features

- Compact
- High Reliability
- Low Noise
- Superior Performance
- Long Lifetime

Applications

- DNA Sequencing
- Flow Cytometry
- Cell Sorting
- Instrument
- spectrum Analysis
- Interference
- Measurement
- Holography
- Laser Printing
- Chip Inspection
- Physics Experiments



Epod671M

AOTK Epod671M lasers are ultra compact, continuous wave, diode-pumped all-solid-state of 671nm laser. The laser is designed and manufactured to ensure a high level of reliability

The Epod671M lasers are intended for stand-alone use in laboratory environment or for integration as OEM component in equipment for applications including DNA sequencing, flow cytometry, laser scanning cytometry, wafer inspection, printing, spectroscopy, holography and projection displays etc.

Available output power is 500, 600, 800, 1000mW and higher power.

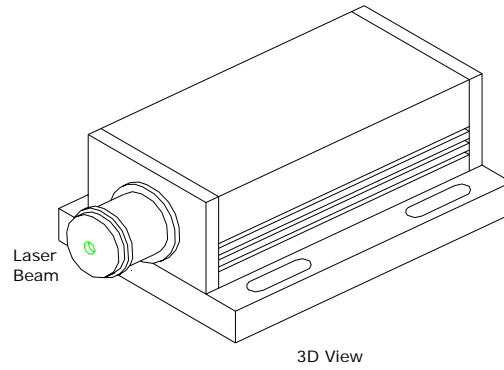
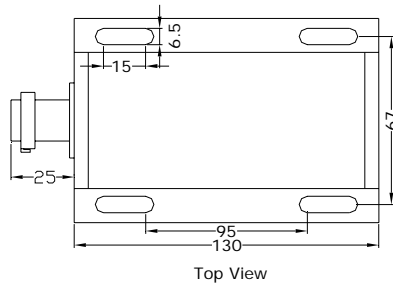
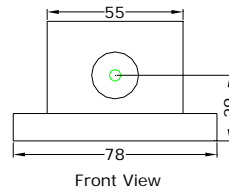
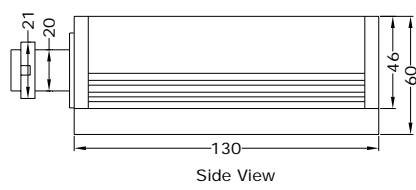
Specifications

| | |
|-------------------------------------|---|
| Wavelength | 671 nm |
| Operating Mode | CW |
| Output Power | 500, 600, 800, 1000mW |
| Spatial Mode | Near TEM ₀₀ |
| Longitudinal Mode | Several |
| Mode Quality M ² | < 2.0 |
| Spectral Linewidth | < 0.1 nm |
| Beam Diameter @ 1/e ² | 3.0 mm ± 0.2 mm |
| Beam Divergence (full angle) | < 2.0 mrad |
| Beam Ellipticity | < 10% |
| Pointing Stability | < 0.05 mrad |
| Noise (10 Hz to 1 MHz) | < 1% rms |
| Power Stability (rms, over 4 hours) | < ± 1%, < ± 3%, < ± 5% |
| Polarization Ratio | > 100:1 |
| Warm-up Time | < 15 minutes |
| Beam Height from the Base (mm) | 29 mm |
| Expected Lifetime | > 10,000 Hours |
| TTL modulation | Optional, 1-10kHz or higher (If request, higher rate up to 40kHz available) |
| Analog modulation | Optional, 1-10kHz or higher (0~max output when 0~5VDC signal input) |

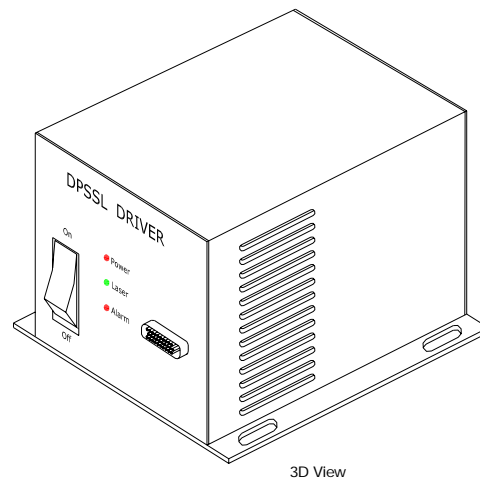
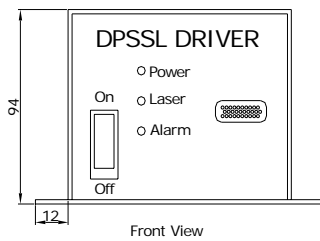
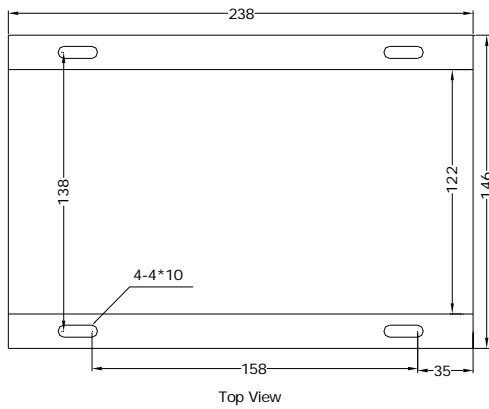
Utility and Environmental Requirements

| | |
|--|-------------------|
| Operating Voltage | 85-260VAC |
| Power Consumption | < 60W |
| Maximum Laser Head Baseplate Temperature for Conductive Cooling | 35°C |
| Ambient Temperature Operating Range | 10-35°C |
| Storage Temperature | -20°C to 70°C |
| Dimensions (LxWxH) | |
| Laser Head | 155 x 78 x 60 mm |
| Power Supply | 238 x 146 x 95 mm |
| Cable - Laser Head to Power Supply | 0.8 m |
| Weights | |
| Laser Head | 0.85 kg |
| Power Supply | 2.9 kg |

Dimension Diagram: Laser Head (Specifications in mm)



Dimension Diagram: Power Supply (Specifications in mm)



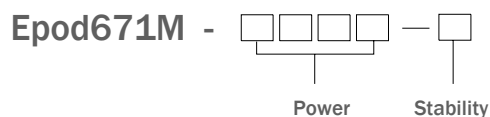
Warranty

AOTK offers a limited warranty for all laser systems. AOTK diode-pumped solid state lasers are warranted to be free of defects in materials and workmanship for 12 months from the date of shipment. For full details of this warranty coverage of further products information, please refer to the Service and Support section at www.AOTK.com, or contact your local Sales or Service representative.

Ordering information:

For more information on this or other products and their availability, please contact the sales management of AOTK, Inc.

Sample: Epod671M - 1000-5 (Epod671M Model, Wavelength: 671nm, Output Power: 1000mW, Power Stability: 5%)



Laser safety and electrical safety:

Caution! Visible and invisible laser radiation is extremely dangerous. Avoid eye or skin exposure to direct radiation or diffuse reflection. Most AOTK laser systems fall into class III or class IV laser classification. Most laser systems utilize different level AC and DC voltage in both laser head and power supply. All AOTK products are designed in a compact package.

NOTES

1. Due to our continuous product improvement program, specifications may change without notice.
2. Specifications apply to operation at the wavelength noted.
3. All statements, technical information and recommendations related to the products herein are based upon information believed to be reliable or accuracy or completeness thereof is not guaranteed, and no responsibility is assumed for any inaccuracies. The user assumes all risks and liability whatsoever in connection with the use of a product or its application, AOTK reserves the right to change at any time of a product offered for sale herein. AOTK makes no representations that the products herein are free from any intellectual property claims of others. Please contact AOTK for more information.

Low Noise Red DPSS Laser

Key Features

- Compact
- High Reliability
- Low Noise
- Superior Performance
- Long Lifetime

Applications

- DNA Sequencing
- Flow Cytometry
- Cell Sorting
- Instrument
- spectrum Analysis
- Interference
- Measurement
- Holography
- Laser Printing
- Chip Inspection
- Physics Experiments



Epod671G

AOTK Epod671G lasers are ultra compact, continuous wave, diode-pumped all-solid-state of 671nm laser. The laser is designed and manufactured to ensure a high level of reliability

The Epod671G lasers are intended for stand-alone use in laboratory environment or for integration as OEM component in equipment for applications including DNA sequencing, flow cytometry, laser scanning cytometry, wafer inspection, printing, spectroscopy, holography and projection displays etc.

Available output power is 2000, 3000, 4000, 4500 mW and higher power.

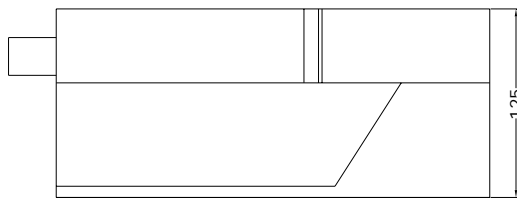
Specifications

| | |
|-------------------------------------|--------------------------|
| Wavelength | 671 nm |
| Operating Mode | CW |
| Output Power | 2000, 3000, 4000, 4500mW |
| Spatial Mode | Near TEM ₀₀ |
| Longitudinal Mode | Several |
| Mode Quality M ² | < 2.0 |
| Spectral Linewidth | < 0.1 nm |
| Beam Diameter @ 1/e ² | 4.0 mm ±0.2 mm |
| Beam Divergence (full angle) | < 2.0 mrad |
| Beam Ellipticity | < 10% |
| Pointing Stability | < 0.05 mrad |
| Noise (10 Hz to 1 MHz) | < 1% rms |
| Power Stability (rms, over 4 hours) | <±1%, <±3%, <±5% |
| Polarization Ratio | > 100:1 |
| Warm-up Time | < 15 minutes |
| Beam Height from the Base (mm) | 93.5 mm |
| Expected Lifetime | >10,000 Hours |
| TTL modulation | Optional, up to 2kHz |
| Analog modulation | Optional, up to 2kHz |

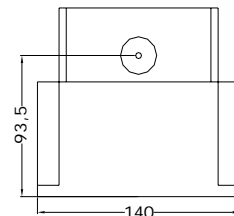
Utility and Environmental Requirements

| | |
|---|--------------------|
| Operating Voltage | 85-260VAC |
| Power Consumption | < 60W |
| Maximum Laser Head Baseplate Temperature for Conductive Cooling | 35°C |
| Ambient Temperature Operating Range | 10-35°C |
| Storage Temperature | -20°C to 70°C |
| Dimensions (LxWxH) | |
| Laser Head | 335 x 140 x 125 mm |
| Power Supply | 325 x 278 x 142 mm |
| Cable - Laser Head to Power Supply | 0.8 m |
| Weights | |
| Laser Head | 8.0 kg |
| Power Supply | 13 kg |

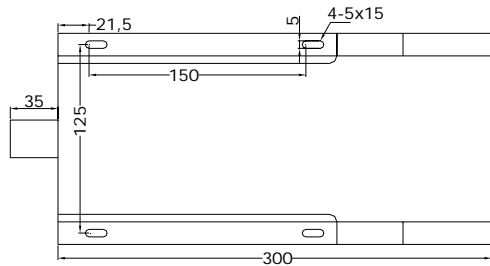
Dimension Diagram: Laser Head (Specifications in mm)



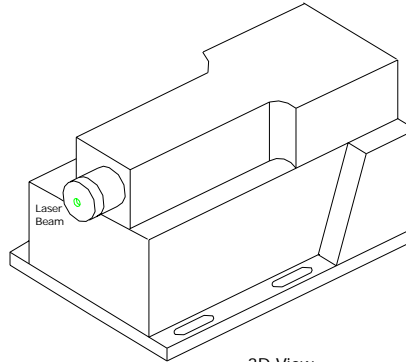
Side View



Front View



Top View

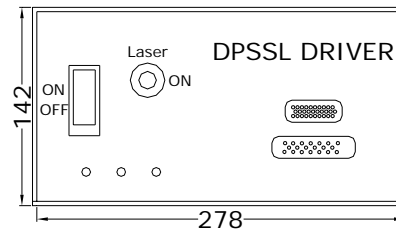


3D View

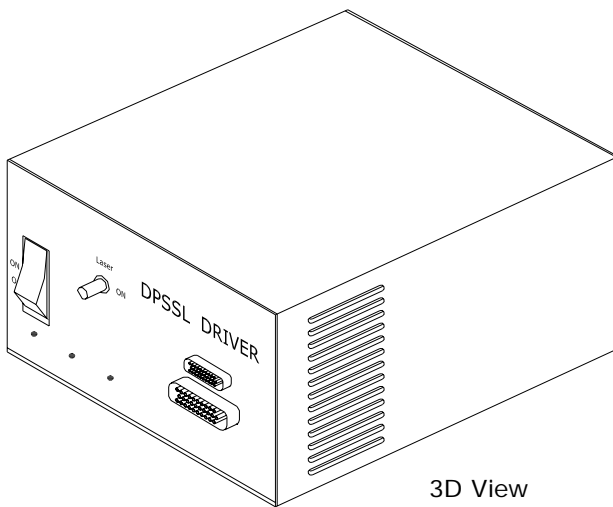
Dimension Diagram: Power Supply (Specifications in mm)



Top View



Front View



3D View

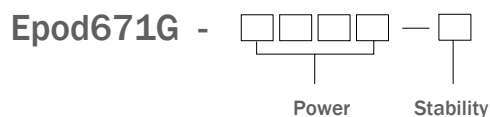
Warranty

AOTK offers a limited warranty for all laser systems. AOTK diode-pumped solid state lasers are warranted to be free of defects in materials and workmanship for 12 months from the date of shipment. For full details of this warranty coverage of further products information, please refer to the Service and Support section at www.AOTK.com, or contact your local Sales or Service representative.

Ordering information:

For more information on this or other products and their availability, please contact the sales management of AOTK, Inc.

Sample: Epod671G - 3000-5 (Epod671G Model, Wavelength: 671nm, Output Power: 3000mW, Power Stability: 5%)



Laser safety and electrical safety:

Caution! Visible and invisible laser radiation is extremely dangerous. Avoid eye or skin exposure to direct radiation or diffuse reflection. Most AOTK laser systems fall into class III or class IV laser classification. Most laser systems utilize different level AC and DC voltage in both laser head and power supply. All AOTK products are designed in a compact package.

NOTES

1. Due to our continuous product improvement program, specifications may change without notice.
2. Specifications apply to operation at the wavelength noted.
3. All statements, technical information and recommendations related to the products herein are based upon information believed to be reliable or accuracy or completeness thereof is not guaranteed, and no responsibility is assumed for any inaccuracies. The user assumes all risks and liability whatsoever in connection with the use of a product or its application, AOTK reserves the right to change at any time of a product offered for sale herein. AOTK makes no representations that the products herein are free from any intellectual property claims of others. Please contact AOTK for more information.